

TW PULL ANCHOR

TECHNICAL DATA SHEET

The TW Pull is a Stockless Anchor engineered for maximum efficiency in a compact design.

Featuring twin large triangular flukes with a high surface area, it delivers over twice the holding capacity of a conventional anchor of equal weight. This allows for a ~25% weight reduction while maintaining compliance with classification society requirements. Manufactured from marine-grade cast steel, the TW Pull is designed for rapid setting, self-righting capability, and superior performance across most seabeds. We're a leading TW Pull Anchor Supplier Australia, with a range of sizes always in stock.

Nominal Weight: 100kg-570kg in stock

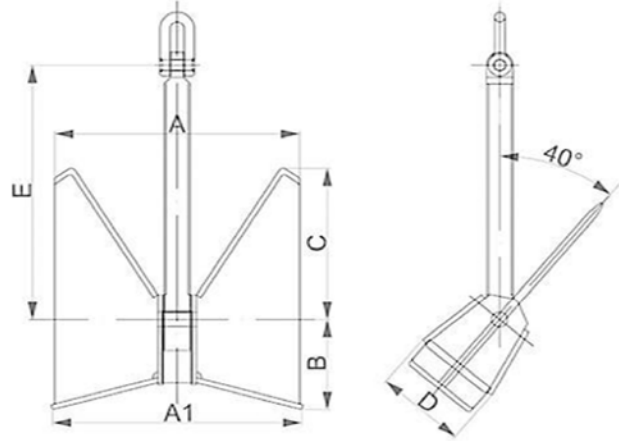
Finishing: Hot dip galvanized

Certificates: LRS, DNV-GL, ABS and BV

Larger sizes, finishes and certificates available on request.

Applications

- **Main anchors for large commercial vessels,** tankers, bulk carriers and container ships
- **Naval ship applications** where reduced anchor size and high holding power are critical
- **Offshore mooring systems** for FPSOs, drill ships and floating structures
- **Vessels with limited anchor pocket dimensions** requiring compact high-efficiency anchors
- **Operations in varied seabeds** including mud, sand and clay, with rapid penetration and high holding-to-weight ratios



Specifications

Product Code	Nominal Weight (kg)	Dimensions (mm)					
		A	A1	B	C	D	E
AP00L145	145	720	730	280	470	266	788
AP00L160	160	746	758	290	486	276	818
AP00L180	180	770	787	301	505	287	850
AP00L225	225	836	848	325	544	309	915
AP00L270	270	888	902	342	573	326	965
AP00L300	300	920	933	357	598	340	1008
AP00L360	360	978	993	380	637	362	1072
AP00L400	400	996	1010	386	648	374	1090
AP00L450	450	1038	1053	403	675	390	1137
AP00L495	495	1086	1103	422	707	402	1190
AP00L565	565	1136	1153	425	740	420	1245
AP00L675	675	1205	1224	468	785	446	1322
AP00L765	765	1257	1276	488	818	465	1378
AP00L855	855	1286	1306	500	841	482	1411
AP00L1000	1000	1360	1380	528	855	503	1480
AP00L1080	1080	1400	1420	542	915	520	1530

Measurements in tables may vary between different models. Ocean Force strives to ensure accuracy but encourages customers to contact us with any questions.