

HALL STOCKLESS ANCHOR

TECHNICAL DATA SHEET

The Hall Stockless Anchor is a proven, class-approved conventional design, featuring a heavy-duty shank with hinged flukes optimised for secure stowage in recessed hull pockets.

Cast from marine-grade steel for maximum durability, it withstands repeated deployment cycles with minimal wear. Its rugged geometry provides reliable penetration and holding in firm seabeds such as sand, gravel or shale. Available in weights from 40kg to over 16t, it meets SOLAS and IACS class rules when correctly sized, and is supplied with full class certification (ABS, DNV, LR, BV). Finish options include hot-dip galvanising for corrosion resistance or traditional black bituminous coating. While not High Holding Power, the Hall Anchor remains a cost-effective, long-service solution for heavy-duty marine anchoring. We're a leading Australian Hall Stockless Anchor Supplier, with range of sizes always in stock.

Nominal Weight: 100kg-570kg in stock

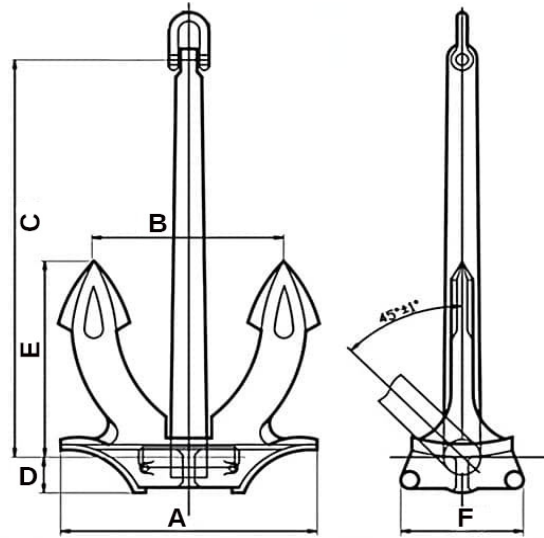
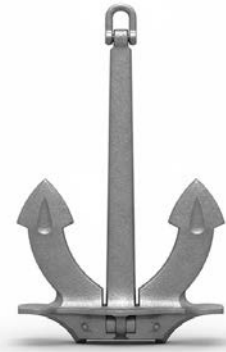
Finishing: Hot dip galvanized

Certificates: LRS, DNV-GL, ABS and BV

Larger sizes, finishes and certificates available on request.

Applications

- **Primary bower anchors** for merchant, tanker, naval and workboat fleets
- **Optimised for firm seabeds** where flukes can fully engage
- **Reliable for routine anchoring operations** where simplicity and toughness are prioritised



Specifications

Product Code	Nominal Weight (kg)	Dimensions (mm)					
		A	B	C	D	E	F
A100	100	540	378	750	91	395	230
A125	125	580	405	810	97	425	248
A150	150	612	432	855	104	452	264
A180	180	650	459	910	111	480	280
A200	240	720	510	1010	122	530	310
A220	280	760	534	1060	130	560	325
A240	300	770	540	1080	131	570	331
A300	320	790	560	1100	132	580	338
A360	360	820	580	1150	139	610	353
A420	420	860	610	1200	146	640	370
A480	480	900	640	1260	163	670	387
A570	570	1042	732	1355	161	732	481

Measurements in tables may vary between different models. Ocean Force strives to ensure accuracy but encourages customers to contact us with any questions.