

MOORING BUOYS

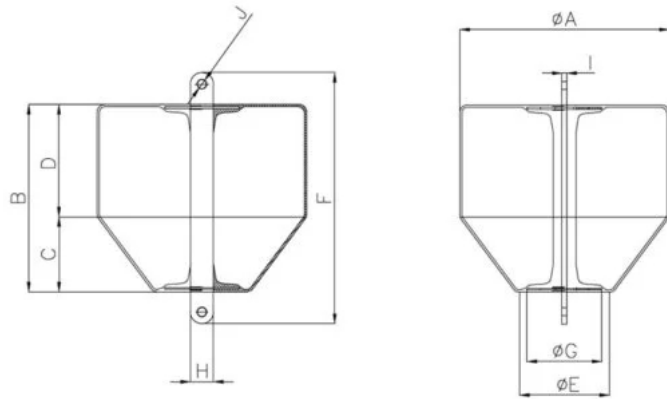
TECHNICAL DATA SHEET

Ocean Force stocks and supplies a full range of foam-filled mooring buoys, engineered for offshore, port and coastal applications.

Built with a reinforced steel core, unsinkable closed-cell foam and tough polyurethane elastomer skin, these buoys deliver long service life, high impact resistance and dependable performance in demanding marine environments. Each buoy is supplied with a Bureau Veritas (BV) Certificate of Manufacture, ensuring full compliance and traceability to international marine standards. All models feature load-tested tie bars, end fittings and heavy-duty lifting points for reliable long-term service. Ocean Force is a leading Australian supplier of mooring buoys. We maintain standard stock sizes (500 kg, 1000 kg, 1200 kg) at our Cairns facility, which are ready for immediate supply, and can provide custom buoyancy and configurations made to order, for larger projects.

Applications

- **BV Certified:** Each buoy supplied with Bureau Veritas certificate of manufacture
- **Heavy-Duty Steel Core:** Central load bar distributes forces evenly
- **Permanent Buoyancy:** Closed-cell foam construction prevents flooding
- **Durable PU Skin:** Abrasion, UV and tear-resistant outer coating
- **Flexible Configurations:** Pad-eye, chain-through and cruciform fittings available
- **Customisable Options:** Buoyancy levels and IALA colours on request
- **Stock Readiness:** 500kg, 1000kg and 1200kg models available now



Specifications

Product Code	Buoyancy	Dimensions (mm)										Shackle Size
		A	B	C	D	E	F	G	H	I	J	
MB250	250kg	860	770	265	505	430	980	320	100	20	34	9.5T
MB500	500kg	1080	940	350	590	520	1285	400	150	25	39	13.5T
MB1000	1000kg	1400	1250	500	750	640	1670	500	155	40	58	35T
MB1200	1200kg	1450	1350	540	810	700	1870	650	200	55	58	35T

Measurements in tables may vary between different models. Ocean Force strives to ensure accuracy but encourages customers to contact us with any questions.

