

STUDLINK CHAIN

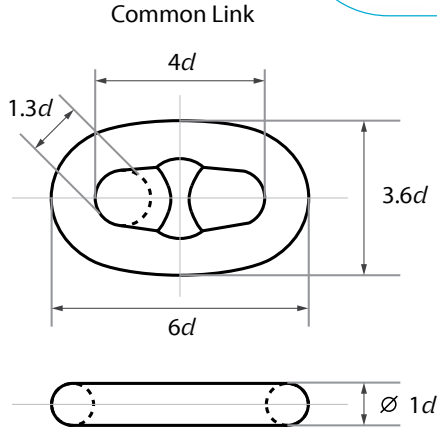
TECHNICAL DATA SHEET

Studlink chain made to ISO 1704 standards is the go-to marine anchor chain, offering excellent strength, reliability and abrasion resistance.

Each link features a central stud for added rigidity and load distribution, used globally across commercial, naval and offshore vessels. Available in Grade 2 and 3 and offered in black or galvanized finishes. We stock the full size range from 12.5mm to 50mm, ensuring quick availability for mooring, anchoring and recovery operations. Ocean Force is a leading Australian supplier of studlink chain.

Applications

- **Studlink Design:** Central stud ensures link alignment and added rigidity
- **Grades 2 & 3**
- **Finish Options:** Black or hot-dip galvanised
- **Full-size Stock:** 12.5mm to 50mm ready in Cairns, standard shot length 27.5m. Larger sizes and other class certifications available on request
- **Class Certified:** Supplied with proof and break load certification for technical verification
- **Ideal For:** Commercial, offshore, naval and yacht anchor systems
- **Certification Availability:** LR, DNV, BV and ABS certification available in stock



Specifications

Finishes: G - Galvanised B - Black

Product Code	Grade	Chain Diameter <i>d</i> (mm)	Proof Load (kN) Grade 2	Breaking Load (kN) Grade 2	Stud Link Chain kg/27.5m
SLC12.5G	U2	12.5	66	92	102
SLC14G	U2	14	82	116	142
SLC16G	U2	16	107	150	172
SLC17.5G	U2	17.5	127	179	197
SLC19G	U2	19	150	211	245
SLC20.5G	U2	20.5	175	244	268
SLC20.5K2G	K2	20.5	175	244	268
SLC22G	U2	22	200	280	324
SLC24B	U2	24	237	332	370
SLC26B	U2	26	278	389	431
SLC28B	U2	28	321	449	496
SLC30B	U2	30	368	514	563
SLC32B	U2	32	417	583	635
SLC36B	U2	36	523	732	800
SLC38B	U2	38	581	812	888
SLC44B	U2	44	769	1080	1197
SLC50B	U2	50	981	1370	1546
SLCU328B	U3	28	321	449	496
SLCU328G	U3	28	321	449	496
SLCU330B	U3	30	368	514	563
SLCU336B	U3	36	523	732	800
SLCU344B	U3	44	769	1080	1197
SLCU350B	U3	50	981	1370	1546

Measurements in tables may vary between different models. Ocean Force strives to ensure accuracy but encourages customers to contact us with any questions.

